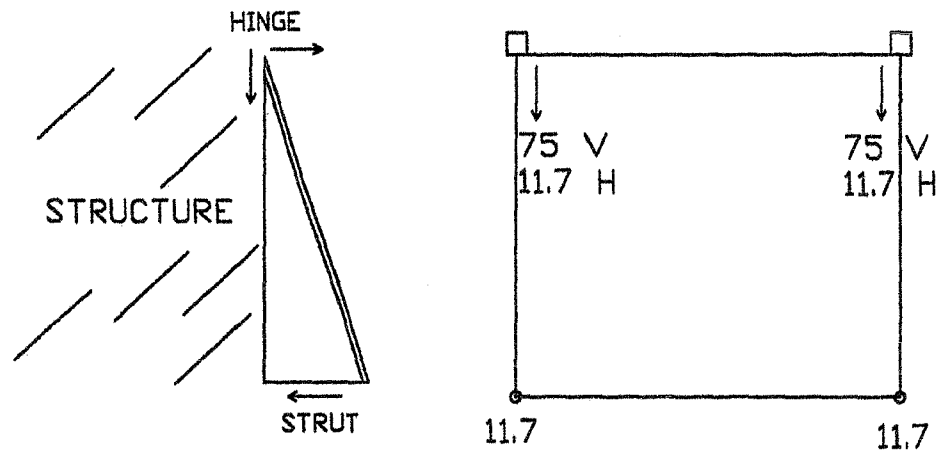


## SINGLE SPLIT PANEL



LOADS (Lbs.)

NOTE: The load at the hinge is vertically downward and horizontal away from the structure, and the load at the strut is horizontal against the structure. All loadings are Dead Loads only.